

The smart choice in self-closing gates
Pedestrian Easy-Gate:

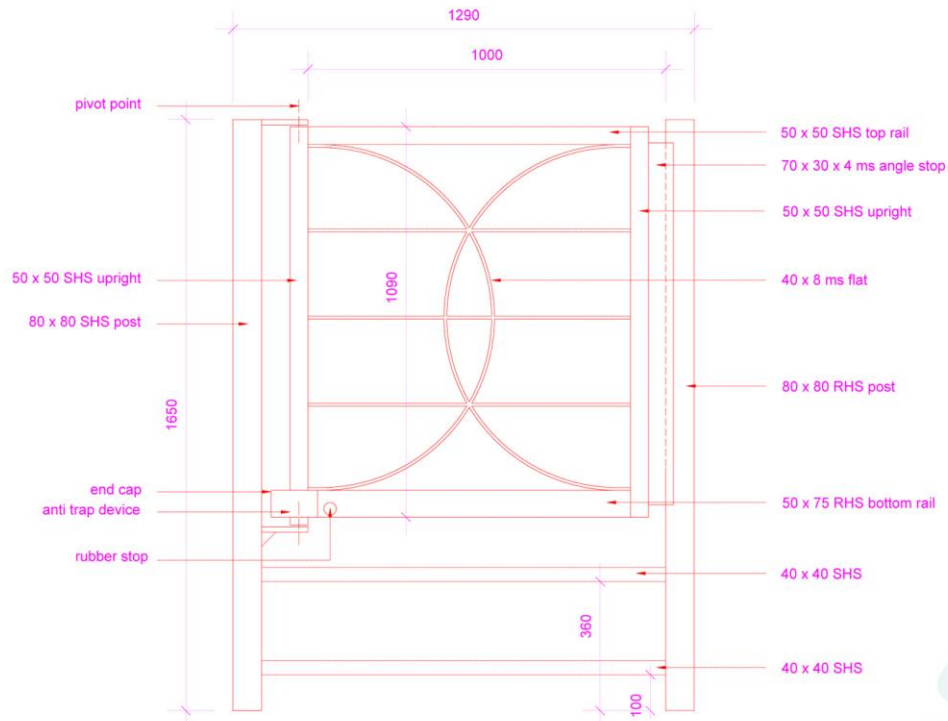


Watergate Farm, Longwaybank,
 Whatstandwell, Matlock, DE4 5HU

Tel: 01629 820985
 Fax: 01629 888442
 e mail: ward@easy-gate.co.uk
 Web: www.easy-gate.co.uk

1.2-Metre High Estate Specification Sheet

- Safe • Reliable • Quiet



1200 EG 5

